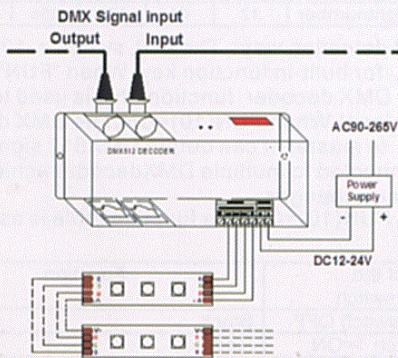


III. Connection chart:



IV. Warning

1. Supply voltage of this product is DC12-24V, never connect to other voltage.
2. Lead wire should be connected correctly according to grade that connecting diagram offers.
3. Warranty of this product is two years, but exclude the artificial situation of damaged or overload working.

I. leading indicator

Working temperature: -20-60°C
 Supply voltage: DC 12V~24V
 Net weight:360g Gross weight:400g
 Product size: L164*W65*H40mm
 Package size: L183*W82*H60mm
 Output signal:DMX512 signal
 Output current: ≤8A (each channel)
 Connecting mode: common anode
 Output: 3 channel

II. Function: This product is in compliance with DMX512 protocol.

1. Each universal DMX controller takes up 3 DMX addresses. It adopts the DIP switch to set up address, the 10th bit (FUN) is "off" status, and other 9 bits are binary value code switch which are used to set up the DMX starting address code. The first bit is the lowest order bit, and the ninth is the highest order bit.

That can set up 511 address codes. The DMX starting address code is equal to the sum of 1st to 9th bit. If move down one bit of code switch ("ON" set "1"), you can get the placevalue of this bit. If move up (set "0"), the placevalue is 0. For example: if you want to set up DMX starting address code for 73, you should move down the 7th, 4th, and 1st bit of code switch for "1", and others for "0". Then the placevalue's sum of 1st to 9th bit is 64+8+1. That is to say, the DMX512 starting address code is 73. (The correspondence dials code position is as follows) To choose the channel from the Dial in-line Package(DIP) Switch:

USER MANUAL



DMX512 DECODER

Decimals	1	2	3	4	5
Weightnumber	1	2	4	8	16
Decimals	6	7	8	9	10
Weightnumber	32	64	128	256	FUN

- 2.Signal detection way: The DIP switch's 10th bit is "FUN", for built-in function key. When "FUN"="OFF", is for DMX decoder function, this is used to adopt DMX signal.When FUN(10)=ON,The DMX decoder is set to master, it can output DMX512 signal, can be connected to multiple DMXdecoder achieve synchronous changes.
3. When FUN(10)=ON, the function table is as follows show:

Bit of the DIP switch	Function
1-9 switch OFF	Black
Switch 1=ON	Red
Switch 2=ON	Green
Switch 3=ON	Blue
Switch 4=ON	Yellow
Switch 5=ON	Purple
Switch 6=ON	Cyan
Switch 7=ON	white
Switch 8=ON	Seven-color jumpy changing (8 grades of speeds are available)
Switch 9=ON	All-color gradual changing (8 grades of speeds are available)

When Fun(10)=ON, and 8th or 9th bit being for "ON",switch 1 to 7 are for available grade of speed, 8 levels in total.